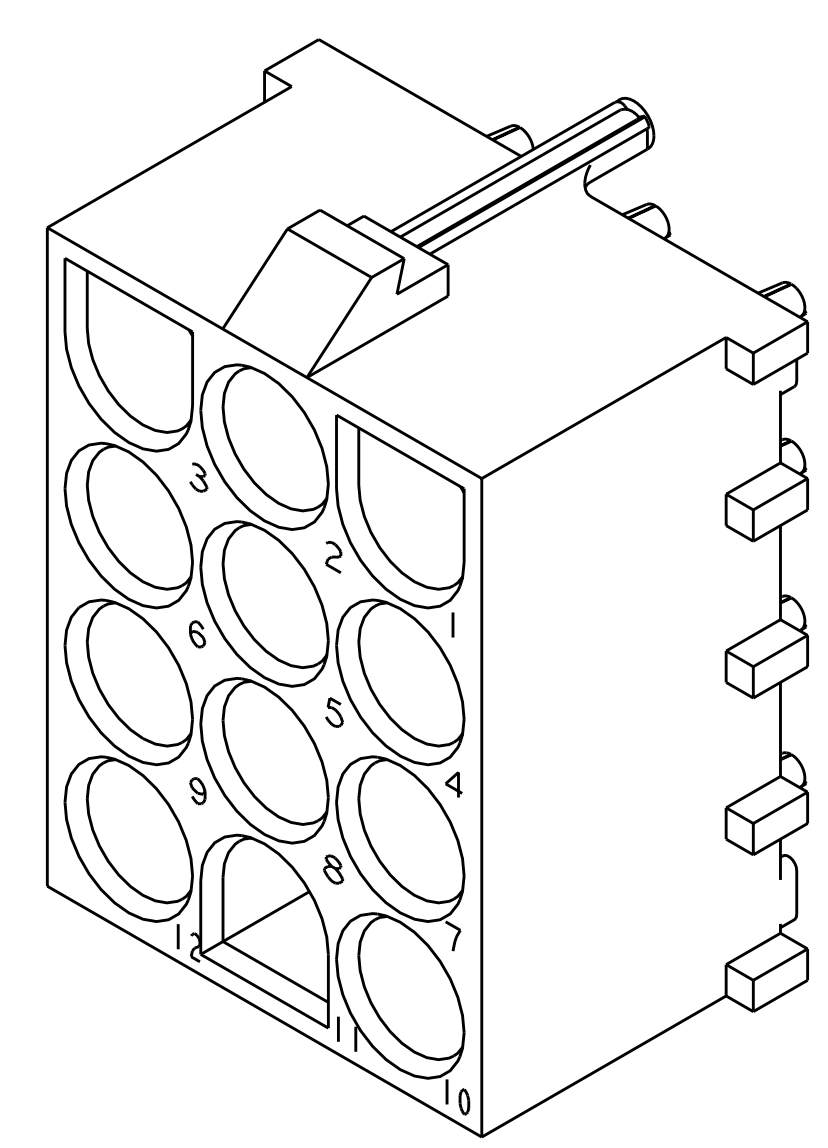
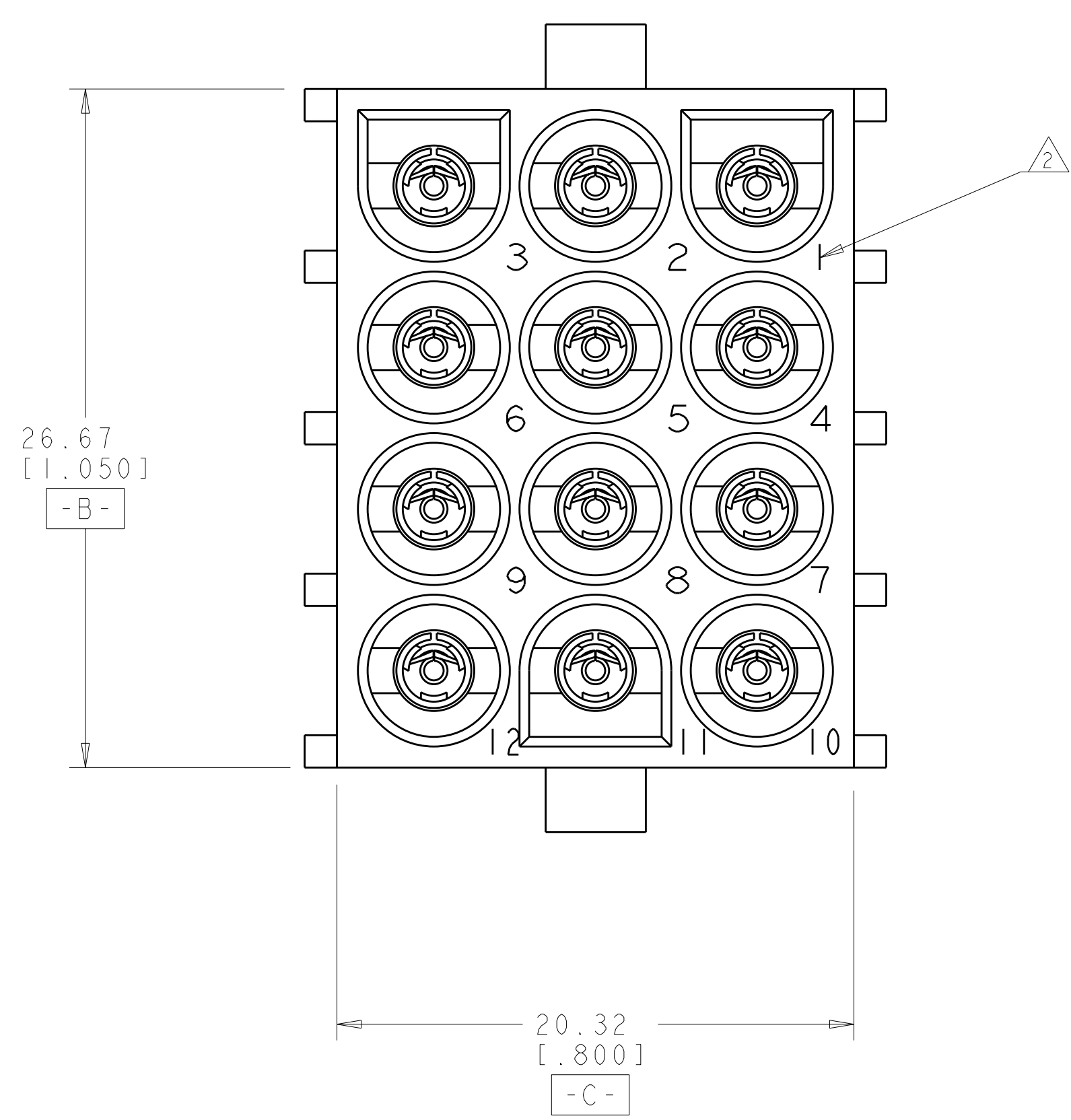
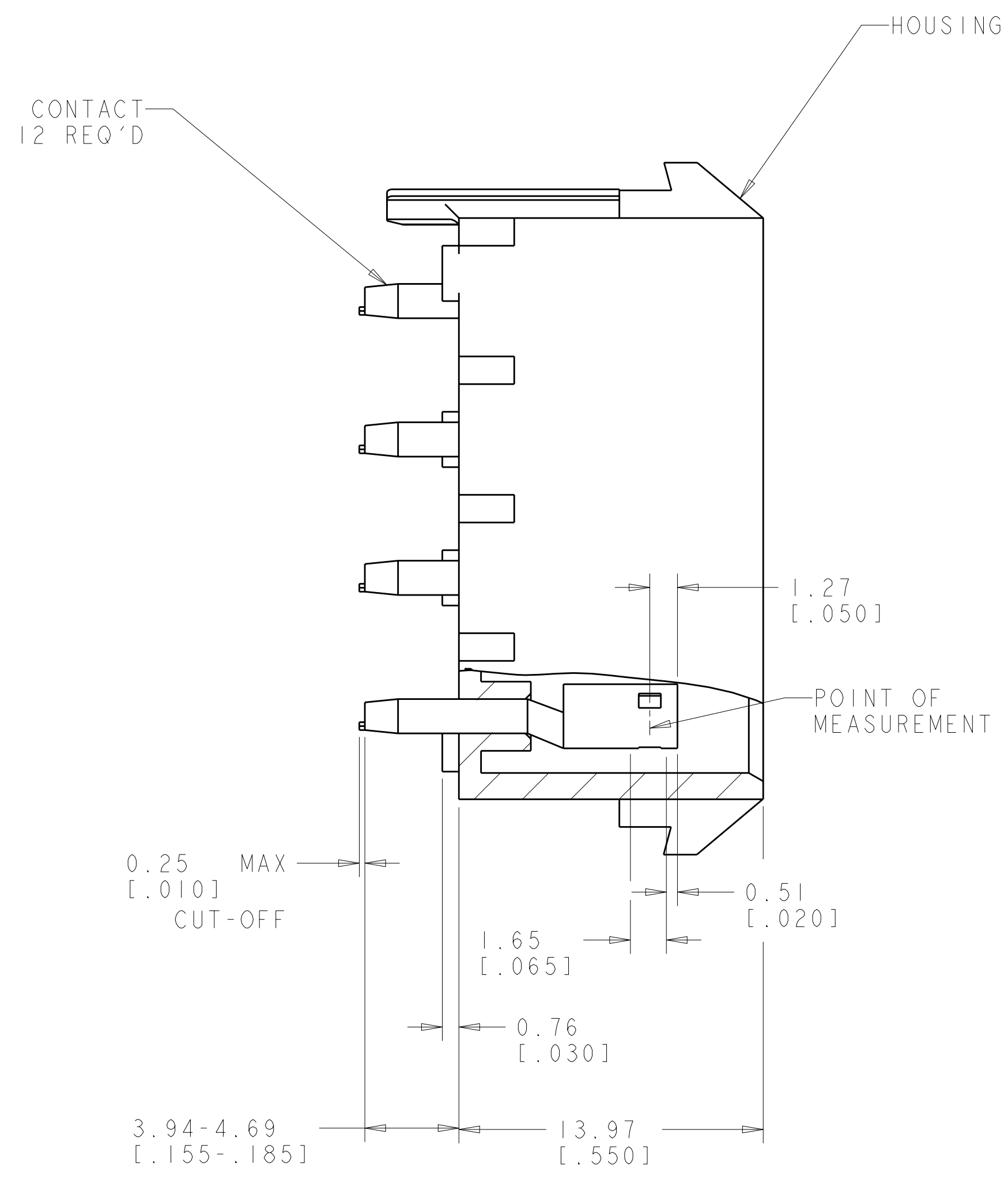
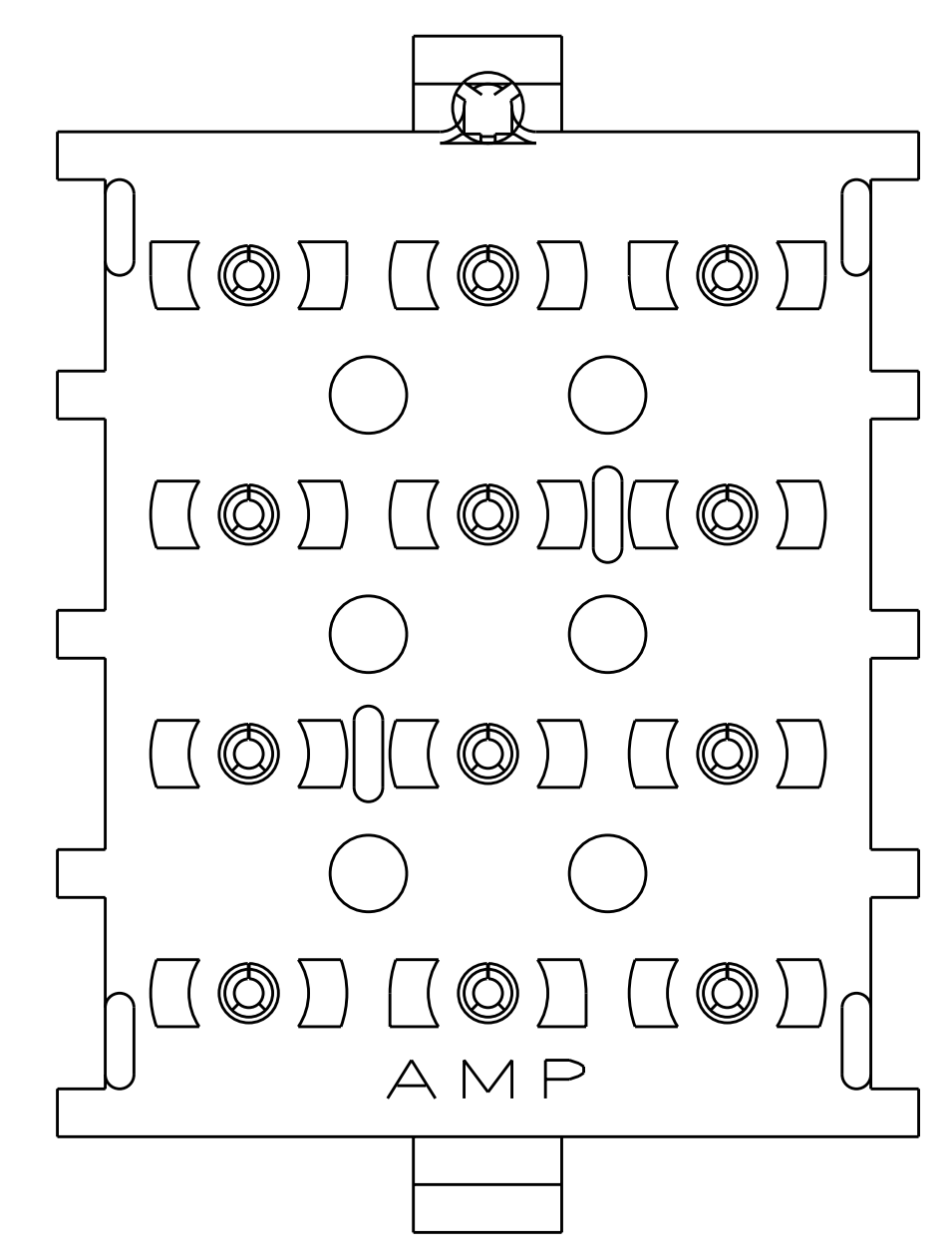
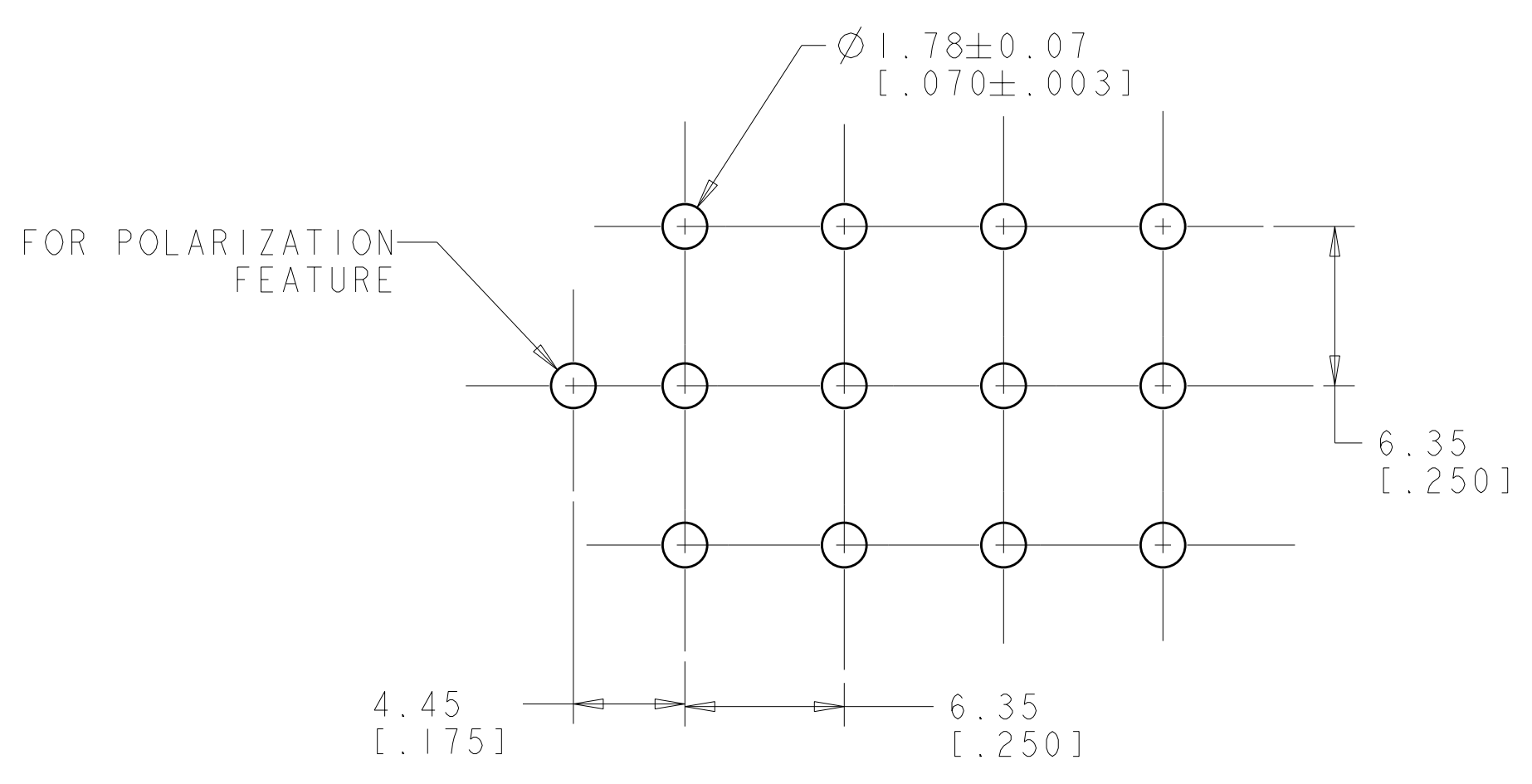


LOC	DIST	REVISIONS			
CM	00	REV	DATE	BY	APP'D
		H	20-APR-01	KW	CJ
		H	29-NOV-07	KW	DC

- PARTS COMPLY WITH AMP SOLDERABILITY SPEC.109-11-2.
- CIRCUIT IDENTIFICATION CHARACTERS ARE ADJACENT TO THE INDICATED CAVITIES, BUT LOCATION AND ORIENTATION MAY DIFFER FROM PRINT.
- CONTACT IS PLATED OVERALL WITH 0.00127 [.000050] NICKEL, THEN 0.00076 [.000030] GOLD OVER CONTACT LENGTH INDICATED AND MATTE TIN ON SOLDER TAIL END.



3 DIMENSIONAL MODEL
SCALE 4:1



RECOMMENDED LAYOUT FOR
1.57 [.062] THICK P.C. BOARD

PH BRZ	GOLD Δ	NYLON, 94V-0	BLACK	643428-3
PH BRZ	PRE-TIN	NYLON, 94V-0	BLACK	643428-2
PH BRZ	PRE-TIN	NYLON, 94V-0	WHITE	643428-1
MATERIAL	FINISH	MATERIAL	COLOR	PART NO
PIN		HOUSING		

<small>THIS DRAWING IS UNPUBLISHED. RELEASED FOR PUBLICATION BY TYCO ELECTRONICS CORPORATION. ALL RIGHTS RESERVED.</small> DIMENSIONS: mm [INCHES]		TOLERANCES UNLESS OTHERWISE SPECIFIED: 9 PLC ± 1 PLC ±0.13 [.005] 5 PLC ± 4 PLC ± ANGLES ± FINISH SEE TABLE		DWN R. WHITAKER 01DEC2000 CHK S. RIDGILL 01DEC2000 APVD S. RIDGILL 01DEC2000 PRODUCT SPEC APPLICATION SPEC WEIGHT CUSTOMER DRAWING		Tyco Electronics Harrisburg, PA 17105-3608 NAME: HEADER ASSEMBLY, SOCKET, POLARIZED, 12 CIRCUIT, UNIVERSAL MATE-N-LOK(TM) SIZE: A1 CAGE CODE: 00779 DRAWING NO: C-643428 SCALE: 4:1 SHEET: 1 OF 1 REV: H1	
---	--	---	--	--	--	---	--

